

Technical Specifications

Power supply	9 ... 28VDC or 2xAAA batteries
Power consumption	typ. 0.05W, max. 0.8W (while reading NFC)
Power loss	max. 0.8W
Battery lifetime	up to 2 years
Interfaces	Loxone Air: 868MHz (SRD Band Europe), 4 channels available, max. Power 15.1mW e.r.p. 915MHz (ISM Band Region 2), 10 channels available, max. Power 13.2mW internal antenna
Ambient temperature	external power supply: -20 ... 70°C / -4 ... 158°F battery powered: -20 ... 60°C / -4 ... 140°F
Humidity	max. 95% r.H. (non condensing)
Touch points	capacitive touch detection
Click feedback	Yes
Access possibilities	NFC, Key code
Safety rating	IP44
Maintenance & Cleaning	This device is free of maintenance and may only be cleaned with a dry cloth.

LOXONE

Need Help?

loxone.com/support

Loxone Electronics GmbH
Smart Home 1
4154 Kollerschlag
Austria

loxone.com



V040521

LOXONE



NFC Code Touch Air

Part No: 100483 (White)
Part No: 100482 (Anthracite)

About the product

Get access with encrypted or unencrypted NFC tags, via your NFC enabled smartphone or through your own unique key code.

Features

- Authentication via encrypted and unencrypted NFC Tags or NFC enabled smartphones or key code
- Supports permanent, disposable or time-limited key codes
- Universal button
- Alarm-authentication

Installation

Install the mounting frame of the NFC Code Touch on the desired installation place. Power up the device and pair it with your Miniserver in Loxone Config. Alternatively you could power up the device with the provided battery. To finish the installation attach the NFC Code Touch as shown on the mounting frame.

Important Information

For security reasons, we strongly suggest you only use encrypted NFC tags for access control from Loxone.

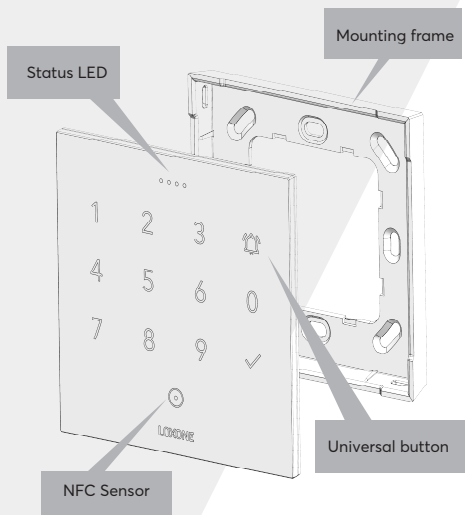
If the NFC Code Touch is being powered by battery, please note the keypad must be woken up with the check mark prior to entering the key code.

Compatible NFC media

Unencrypted	ISO/IEC 14443, fixed UID required
Encrypted	Media with MIFARE® DESFire® EV1 Chip

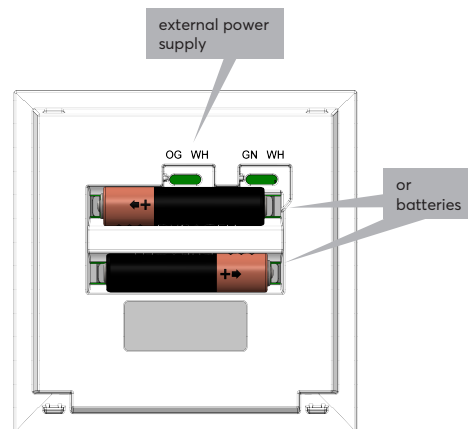


For additional information, declaration of conformity, visit www.loxone.com/help/nfc-codetouch-air



Connection

Wire cross-section	0.25 ... 0.8mm ² / AWG23 ... 18
Stripping length	5mm / 0.2"
Temperature resistance	-40 ... 105°C / -40 ... 221°F



Information

Contains FCC ID: COR-2ARRV-000376

This device complies with part 15 of the FCC Rules. Operation is subject to the following two conditions:

1. This device may not cause harmful interference
2. This device must accept any interference received, including interference that may cause undesired operation